

Gemini 720is

Real-time multibeam imaging sonar

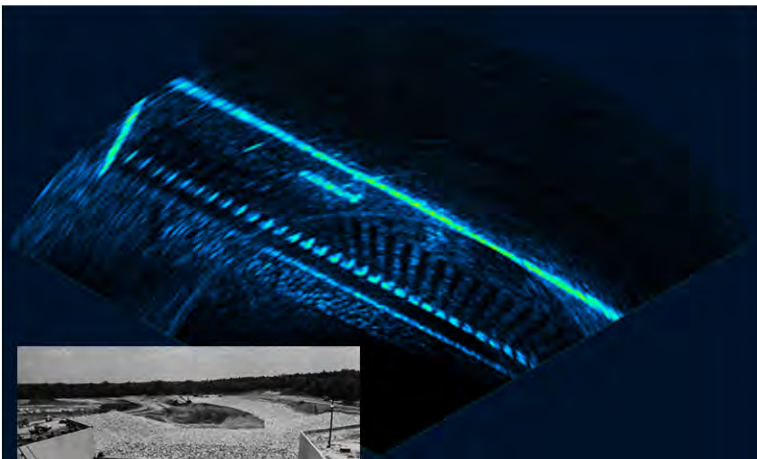


With a 120° field of view and a fast update rate of 30Hz, the Gemini 720is is ideal for poor visibility environments.

The Gemini 720is is supplied with Seanet Pro, Tritech's data acquisition and logging software, which offers users the ability to network and operate the sonar along with a range of other Tritech sensors from a single software interface.

The Gemini stand-alone software also provides users with additional control over the Gemini 720is and can be upgraded to Gemini SeaTec to provide a variety of target classification and tracking capabilities. The ability to record data in a range of digital video formats and output screen shots for review comes as standard.

The product offers world-class 97Hz update rate at 1m range for video-like imagery. Target tracking algorithms developed by SeeByte are embedded within the Gemini software as standard.



Lake Conroe dam inspection
45m range

Low power underwater visualisation

The 720is is the latest generation from Tritech's renowned multibeam sonar range and offers a real-time, high frequency imaging solution.

The Gemini 720is operates at 720kHz and this combined with Tritech's state-of-the-art processing electronics, produces images of superb clarity.

Benefits

- Near field focusing
- 8mm range resolution
- Clear wide angle field of view
- Suitable for low visibility environments
- Easier interpretation of sonar imagery

Features

- 720kHz operating frequency
- CHIRP processing for high resolution imagery
- Wide 120° field of view
- Real-time updates for video like imagery
- Integrated velocimeter for accurate ranging
- Ethernet or VDSL communications
- Software Development Kit available
- SeeByte embedded target algorithms

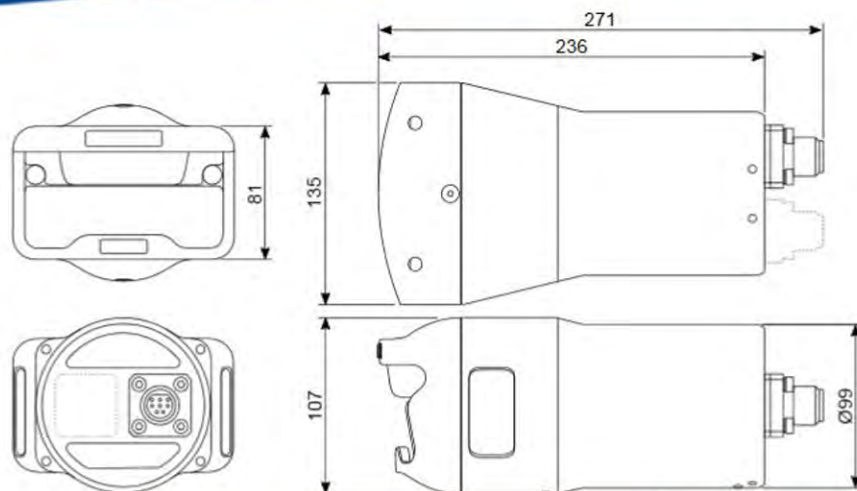
Applications

- ROV/AUV navigation
- Obstacle avoidance
- Target recognition
- Search and Rescue (SAR)
- Salvage operations
- Subsea monitoring and inspection
- Object detection



seebyte

Specification



All dimensions are in mm, not to scale

Acoustic specifications	
Operating frequency	720kHz
Angular resolution	1.0° acoustic, 0.25° effective
Range	0.2m to 120m
Number of beams	512
Horizontal beamwidth	120°
Vertical beamwidth	20° (tilted down 10°)
Update rate (typical operation)	5-30Hz (range dependent)
Range resolution	8mm
CHIRP support	Yes
Speed of Sound	VoS sensor

Interface	
Power requirement	16W - 27W (range dependent) ¹
Supply voltage	19 to 74V DC
Communication protocols	Ethernet or VDSL
Additional I/O	RS232, RS485 (half duplex), TTL in, Ethernet
Connector type	SeaCon 55 series, SubConn FCR 15 series or Schilling SeaNet (single port as standard)
VDSL cable length	Maximum length for VDSL and power is 300m, if power is provided locally the maximum cable length for VDSL communication is 500m

Physical specifications	
Depth rating	1000m (Aluminium), 4000m (Titanium)
Weight in air	3.35kg (Aluminium), 5.0kg (Titanium)
Weight in water	1.3kg (Aluminium), 3.0kg (Titanium)
Temperature rating	-10 to 35°C (operating), -20 to 50°C (storage)

¹The power consumption range quoted is accurate for a standalone unit and ignores cable losses

Document 0703-SOM-0001, Issue: 06

Specification subject to change in line with Trittech's policy of continual product development

Marketed by:

Trittech International Ltd
 Peregrine Road, Westhill Business Park
 Westhill, Aberdeenshire, AB32 6JL
 United Kingdom
 sales@tritech.co.uk
 +44(0) 1224 744 111

